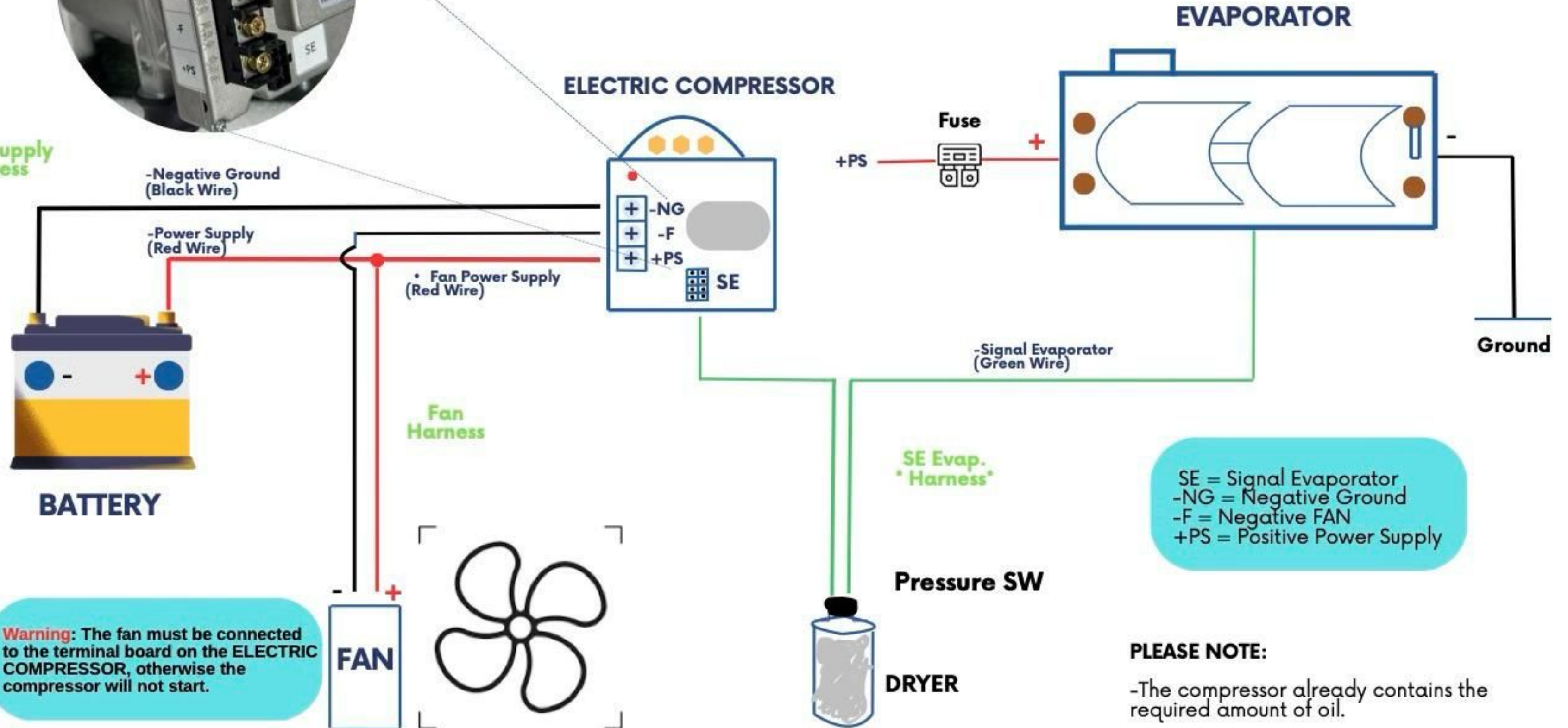


# ELECTRIC COMPRESSOR DIAGRAM



Power Supply Harness



**Warning:** The fan must be connected to the terminal board on the ELECTRIC COMPRESSOR, otherwise the compressor will not start.

SE = Signal Evaporator  
 -NG = Negative Ground  
 -F = Negative FAN  
 +PS = Positive Power Supply

**PLEASE NOTE:**  
 -The compressor already contains the required amount of oil.  
 -Should additional oil be required, please use only POE68 type oil.